



More Equipment.
Less Space.
Simpler Install.

ASCO Power Technologies™

ASCO SERIES 300
Power Transfer Load Center

ascopower.com



Life Is On

Schneider
Electric

Authorized Partner

CED
FRESNO

ASCO SERIES 300 Power Transfer Load Center

Facilities can reap benefits by installing equipment that integrates two or more power devices.

Power Transfer Load Centers (PTLCs) streamline installation and require less facility space by integrating a transfer switch mechanism and a distribution panel into a single equipment enclosure.

Can be configured with integrated Service Disconnect Breakers. Optional Cam-Lok Quick Connect panel makes addition of a supplemental generator simple and easy.

Product Details

[Transfer Switch
Overview](#)



ASCO 300 Automatic Power Transfer Load Center shown with optional quick connect assembly and bottom tele-communications section in a Type 3R secure enclosure.

More Equipment. Less Space. Simpler Install.

Key Benefits

Save Space

Consolidating all components into a single enclosure reduces total space requirements.

Save Time

All components are received in a single assembly from a single provider, streamlining procurement.

Improve Quality

The entire assembly is constructed and tested at the factory, reducing field defects and improving quality.

Simple Installation

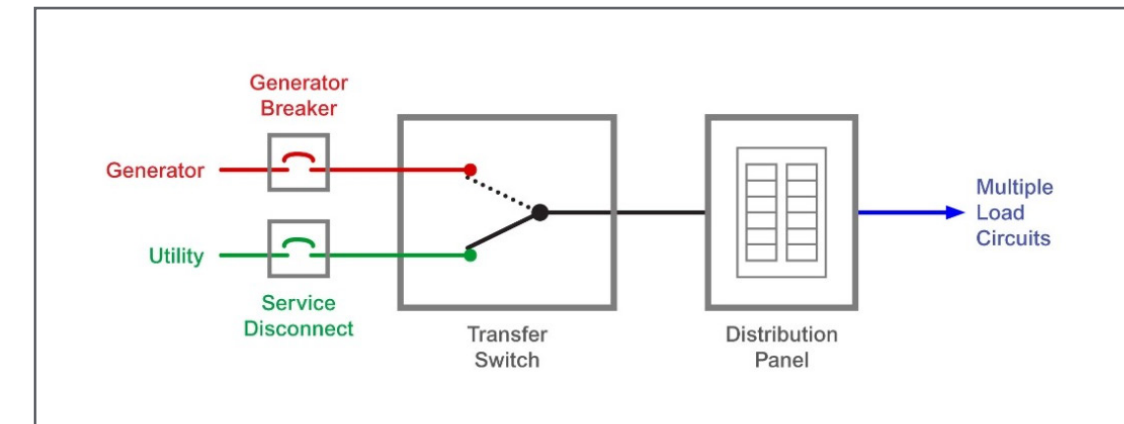
Eliminates separate equipment enclosures and associated wiring, reducing installation labor.

Better Bottom Line

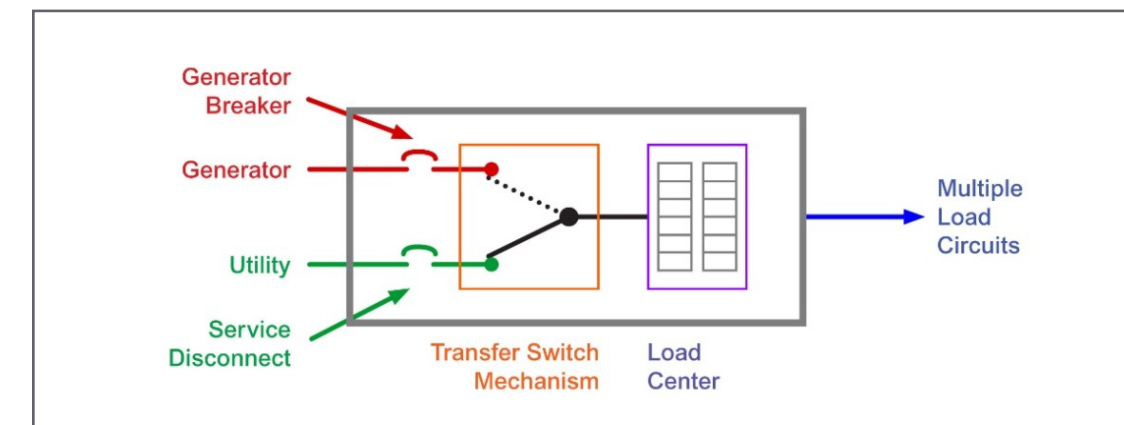
Reduces installation and inventory costs, making a Power Transfer Load Center more cost and labor efficient than multiple-enclosure alternatives.

Power Knowledge

[Basic Automatic
Transfer Switch
Functions](#)



Conventional installation houses devices in separate enclosures.



A Power Transfer Load Center consolidates all devices into a single enclosure, shown here with available integrated source breakers.

SERIES 300 Power Transfer Load Center

Key Features

- Conventional double throw transfer switch configuration
- Certified to CSA 22.2 No. 178
- Rated 208VAC or 240VAC at 200 or 400 amps
- Standard Type 1 indoor enclosure
- Available Type 3R secure aluminum outdoor enclosure
- Reliable and field proven Automatic Transfer Switch with single solenoid operating mechanism
- Group G controller with 128x64 graphical LCD display and integrated keypad, includes test and time delay bypass soft keys
- LED indicators for switch position, source availability not in auto mode, and common alarm indicator
- Real Time Engine exerciser for weekly automatic testing of engine generator set with or without load
- Historical Event Log (optional) presents Automatic Transfer Switch statistical information and system status information
- Two auxiliary contacts:
 - One contact is closed when switch is in normal position
 - One contact is closed when switch is in emergency position
- Service Entrance models include normal and emergency source circuit breakers
- Includes a UL 67 Listed 42-position Square D load center
- Local and remote communication capabilities provided by available ASCO POWERQUEST® communication products
- Can provide “backup-for-the-backup per NEC 700.4(F) when equipped with quick connect panel

Power Knowledge

[More Equipment.](#)
[Less Space.](#)
[Simpler Install.](#)

Short Circuit Ratings

200A Mains: 22kA at 240vac [Main circuit breaker (Normal & Emergency) Square D circuit breakers rated 2/3 pole, 200A]

Note: If a generator input receptacle is supplied for a portable generator, then the ratings are:

- Normal Source – 22kA at 240 vac (Utility Main Disconnect circuit breaker)
- Emergency Source #2 (Permanent Generator Input circuit breaker) – 10kA at 240vac
- Emergency Source #1 (Portable Generator Input circuit breaker) – 5kA at 240vac

400A Mains: 42kA at 240vac. [Main circuit breaker (Normal & Emergency) Square D circuit breakers rated 2/3 pole, 400A]

Panelboard: Square D 225/400A series rated 42 circuit panelboard single/three phase with 100% rated neutral, accepts bolt-on or plug-in branch devices.

SERIES 300 Technical Information

ASCO 300L Power Transfer Switch Ordering Information

0300 + L4 + 2 + 0200 + F + 1 + X + C +								11BG	+ 240V 60Hz
Product	Load Center	Poles	Amperes Continuous Rating	Voltage Code	Controller Code	Options	Enclosure	Optional Accessories ²	Specific Voltage & Freq
0300	L4 = 42 Space	2 poles, 1Ø 3 poles, 3Ø	0200 0400	C 208 F 240	1	Insert "X" if optional accessories are required	C Type 1 (Standard) M Type 3R Secure (Outdoor)	11BG Programmable Engine Exerciser 14AA/14BA Auxiliary Contacts (2 Sets) ¹ 37P Generator Receptacle ³ 44A Strip Heater w/ Thermostat 72A Serial Module 72E Connectivity Module 73 Surge Suppression (TVSS) 85L Power Manager 117IB Interlock Breaker for Portable Generator 128TB Telco Cabinet 130MG Cam Loc ³	208V / 60Hz 240V / 60Hz

Notes:

1. Available on 300L, Power Transfer Load Center only. (two sets are standard) for 7000L SERIES.
2. See page 12-15 for optional accessories.
3. Available for Type 3R enclosure only, rated 200 Amps. Not available for 400 Amp.
4. Contact ASCO for other configurations.

Sizes UL-Listed Solderless Screw-Type Terminals

Switch Rating (Amps)	Max # of Conductors per Terminal	Ranges of AL-CU Wire Sizes (Unless Specified Copper Only)
200	One	# 4 AWG to 250 MCM
400	One	# 1 AWG to 600 MCM
	Two	# 1 AWG to 250 MCM

Dimensions for UL Type 1 and 3R Secured Enclosure

	Switch Rating Amps	Phase Poles	Dimensions, In. (mm)			Approx. Shipping Weight Lb. (kg)
			Width	Height	Depth	
Enclosed UL Type1	200	2, 3	30(762)	78(1981)	6(152)	250(115)
	400	2, 3	38(965)	80(2032)	7-1/4(184)	300(138)
Enclosed UL Type 3R Secure	200 ¹	2, 3	36(914)	53(1346)	11(279)	305(141)
	400	2, 3	38(965)	84(2134)	11-1/4(286)	325(149)

1. Add 20 inches to the height of the type 3R enclosure if accessory 128TB, Telco cabinet is required.

Life Is On



ASCO Power Technologies - Global Headquarters
160 Park Avenue
Florham Park, NJ 07932
Tel: 800 800 ASCO

www.ascopower.com
customercare@ascopower.com

Authorized Partner



www.cedfresno.com
(559) 478-0996
marketing@cedfresno.com